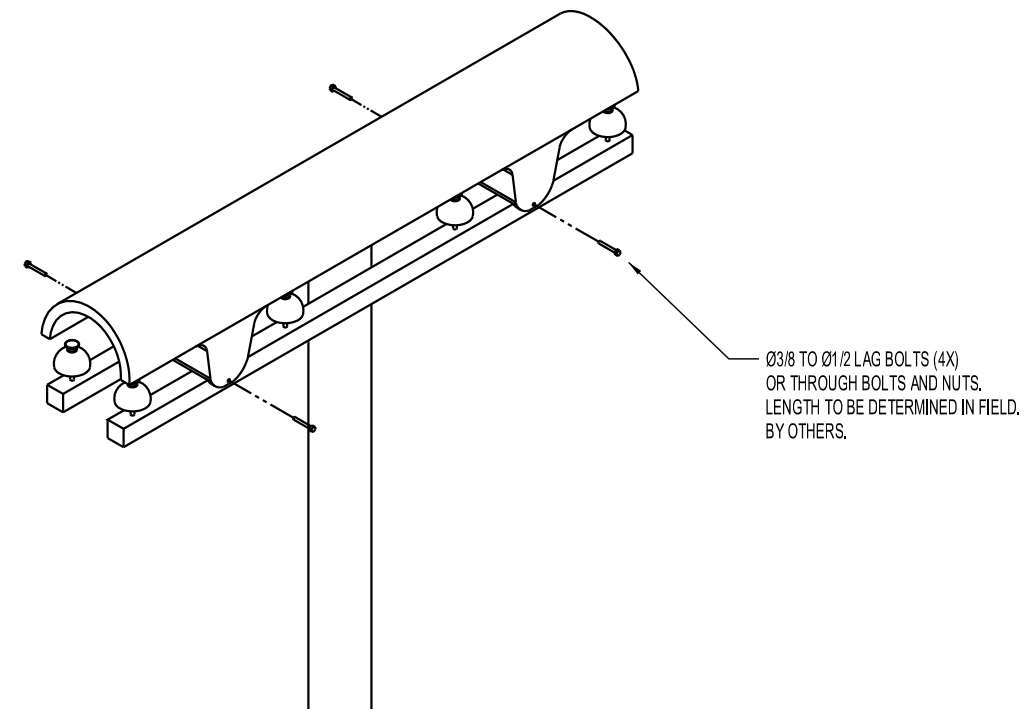


PRODUCT WEIGHT: 60 LBS

LOWER HOOD INTO PLACE
(LOCATE LIFT STRAPS HERE)

18" MAXIMUM

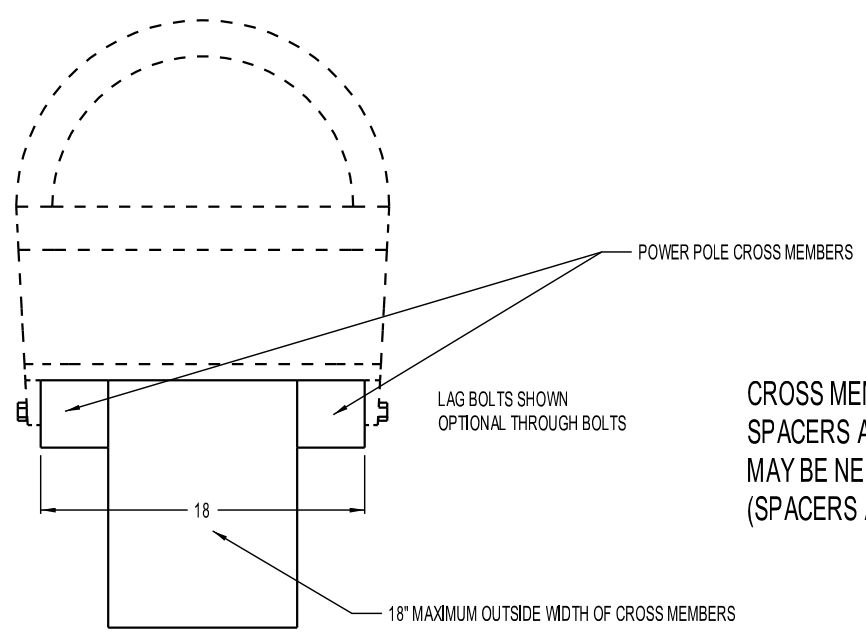
POLYETHYLENE WALL THICKNESS = 1/4".
UV STABILIZED.



Ø3/8 TO Ø1/2 LAG BOLTS (4X)
OR THROUGH BOLTS AND NUTS.
LENGTH TO BE DETERMINED IN FIELD.
BY OTHERS.

SETUP 1 BOLT LOCATIONS SCALE: 1:1

2 SCALE: 1:1

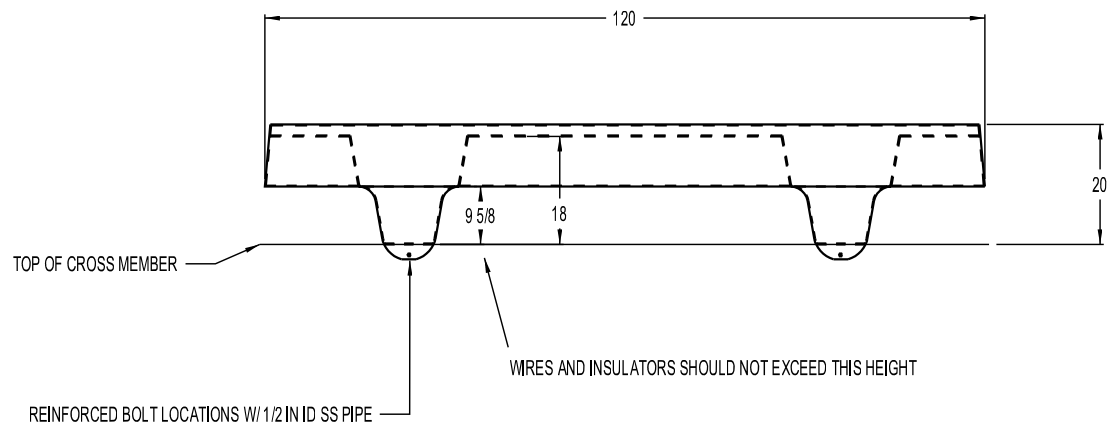


POWER POLE CROSS MEMBERS

LAG BOLTS SHOWN
OPTIONAL THROUGH BOLTS

CROSS MEMBERS ON 18 INCH SPACING SHOWN.
SPACERS AND APPROPRIATE LENGTH BOLTS
MAY BE NEEDED FOR OTHER CONFIGURATIONS.
(SPACERS AND BOLTS BY OTHERS)

18" MAXIMUM OUTSIDE WIDTH OF CROSS MEMBERS



TOP OF CROSS MEMBER

REINFORCED BOLT LOCATIONS W/ 1/2 IN ID SS PIPE

WIRES AND INSULATORS SHOULD NOT EXCEED THIS HEIGHT

CROSS MEMBER DETAIL SCALE 3:1 3 CLEARANCE SCALE: 1:1

4 SCALE: 1:1

Natural Structures

PO Box 270
Baker City, OR 97814
Phone: (541) 523-0224
Fax (541) 523-0231

AVIAN HOOD INSTALLATION

DRAWN BY: PS
REVIEWED BY: PS
DATE: 07/22/2020
ANSI SHEET SIZE: B
REVISION / DATE

PAGE SCALE: 3/8" = 1"
PAGE:

1

© 2008 Natural Structures